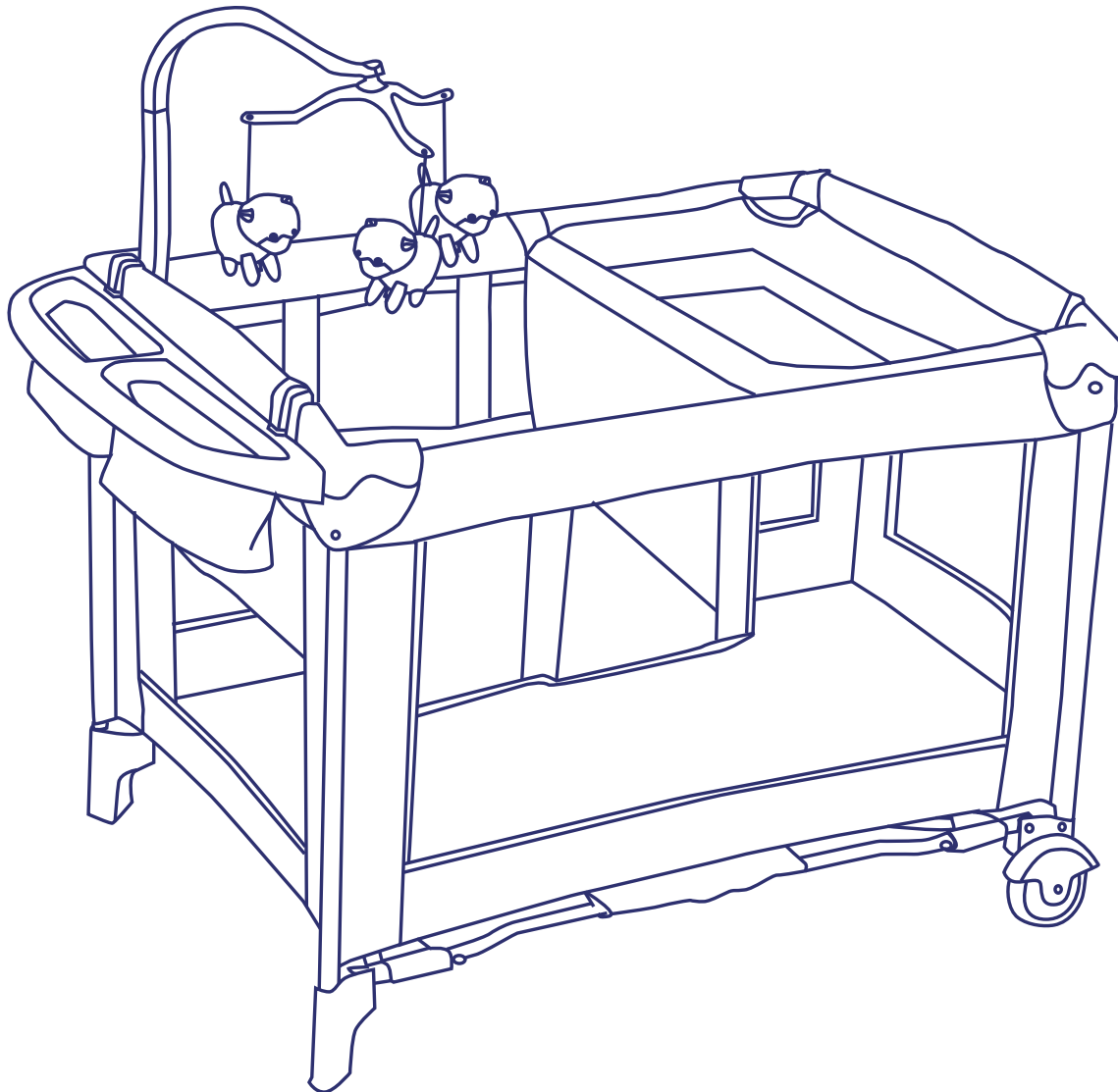


Read all instructions **BEFORE** assembly and **USE** of product.
KEEP INSTRUCTIONS FOR FUTURE USE.

baby trend®



Model # 8181BT

Nursery Center & Playard

Instruction Manual



Nursery Care Center & Playard LXI

03.04

Read all instructions BEFORE assembly and USE of Playard. Keep Instructions for future use.

⚠ WARNING: FAILURE TO FOLLOW THESE WARNINGS AND THE ASSEMBLY INSTRUCTIONS COULD RESULT IN SERIOUS INJURY OR DEATH FROM ENTRAPMENT, STRANGULATION, SUFFOCATION, ETC. INFANTS CAN SUFFOCATE: IN GAPS BETWEEN AN EXTRA MATTRESS AND SIDE OF PRODUCT, OR ON SOFT BEDDING. NEVER ADD A MATTRESS, PILLOW, COMFORTER OR PADDING. USE ONLY MATTRESS PROVIDED BY MANUFACTURER.

- IF REFINISHING, USE A NONTOXIC FINISH SPECIFIED FOR CHILDREN'S PRODUCTS.
- **DO NOT** LEAVE CHILD IN PRODUCT WITH SIDE LOWERED.
- BE SURE SIDE IS IN RAISED AND LOCKED POSITION WHENEVER CHILD IS IN PRODUCT.
- The Playard, including side rails, must be fully erect prior to use. Make sure locks are secure.
- Discontinue use of the Playard when child is able to climb out or reaches the height of 35 inches (890 mm) or the weight of 30 lbs.. (14 kg)
- When child is able to pull to a standing position, remove bumper pads, large toys, and other objects that could serve as steps for climbing out.
- Never leave your child unattended.
- Strings can cause strangulation! **DO NOT** place items with a string around the child's neck, such as hood strings or pacifier cords. **DO NOT** suspend strings over a Playard/crib or attach strings to toys.
- **DO NOT** place the Playard near a window where cords from blinds or drapes can strangle a child. **DO NOT** add padding or other objects inside the Playard that will permit your child to climb out. Keep Playard away from stoves, heaters, campfires and other hazards.
- Never use plastic shopping bags or other plastic film as mattress covers not sold and intended for that purpose. They can cause suffocation.
- Before each usage or assembly, inspect product for damaged hardware, loose joints, missing parts, or sharp edges. **DO NOT** use Playard if any parts are missing or broken. Please contact Baby Trend Customer Service for replacement parts, repair or instructional literature if needed. **DO NOT** substitute parts.
- **DO NOT** use a water mattress with this product.
- This product is not intended for commercial use.

MAINTENANCE AND CLEANING INSTRUCTIONS:

*Use only household soap or detergent and warm water. *NO BLEACH.

Please: If you experience any difficulty with the use of our product or have a question regarding these instructions, please contact our Customer Service Department at (800) 328-7363 between the hours of 8:00 a.m. and 4:30 p.m. Pacific Standard Time. Please do not return the product to the store as once it is returned it cannot be re-sold and the materials and energy used to make it are wasted.

To Contact Us:

Baby Trend, Inc.
1567 S. Campus Ave.
Ontario, CA 91761

Customer Service Hot Line
(800) 328-7363
8:00 a.m. to 4:30 p.m. Pacific Standard Time

FOR THE SAFETY OF YOUR CHILD, PLEASE READ THE INSTRUCTIONS COMPLETELY BEFORE ASSEMBLING THE PLAYARD, BASSINET AND CHANGING AREA

TO ASSEMBLE PLAYARD

Before you begin: The Baby Trend Playard is designed so that, when properly setup, the fabric of the playard places pressure on the 4 top rails making them nearly impossible to unlock. This safety feature is activated when you push down on the playard floor to lock the bottom rails. When setting up the playard, if you allow the bottom rails to lock before locking the top rails, the fabric pressure will not allow you to lock the top rails. Please see (Fig. 3.) for the proper position of the bottom of the playard when locking the top rails.

1. Unzip bag and remove Playard frame (Fig. 1). Undo the 3 Velcro straps and set mattress aside (Fig. 2).
 2. Stand Playard on legs keeping feet of playard close together as shown in figure 3. Pull up on top rails until all rails “click” and “lock”.
 - * **READ IMPORTANT: In order to continue, the handle in the center of the floor of the Playard MUST remain raised in order for the rail to lock (approx. 45.7 cm or 18 inches). The feet of the playard should almost touch each other. All 4 bottom rails must be pointed upward in order to LOCK top rails.**
 3. Push down on center of Playard floor until it is flat and locks into position (Fig. 4). The center lock mechanism will lock automatically. The center lock will rotate clockwise about 90 degrees as it locks.
- NOTE: Test rails to make sure they are locked. Push down on each rail making sure they are rigid and in a set position.**

⚠ WARNING: All top rails MUST be straight and locked in position or child may become entrapped and suffocate.

See figure 5 and 6.

4. Place mattress in Playard with padded side up (Fig. 7).
- NOTE: DO NOT insert mattress if using bassinet feature. Go to bassinet instructions.**
5. Feed the 6 Velcro straps (found underneath the mattress), 3 on each end of the mattress pad, through the slots on the bottom of the sides of the Playard. Fasten the Velcro tabs to the underside of Playard to prevent the mattress from moving (Fig. 8) (Fig. 9).

⚠ WARNING: To prevent child from suffocating, Velcro straps MUST be secured to underside of Playard.

6. Attach the organizer, to any side of the playard, by pushing the plastic clips down over the top rail. (Fig. 10). The maximum weight capacity of the organizer is 3 pounds.

Playard assembly is now complete and ready to use.

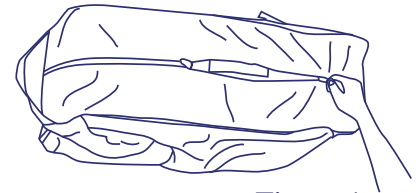


Figure 1.

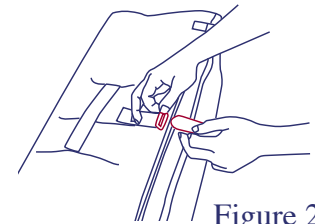


Figure 2.

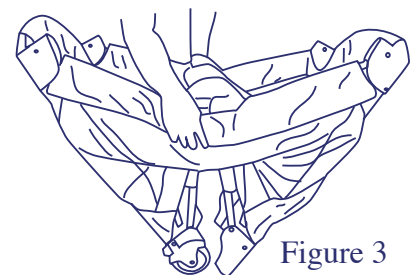


Figure 3

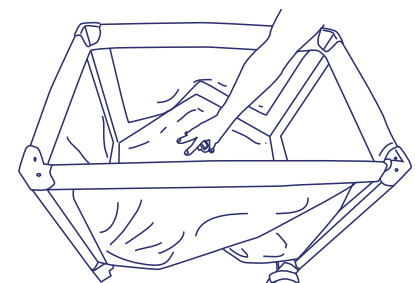


Figure 4

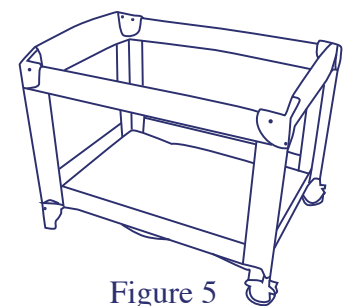


Figure 5

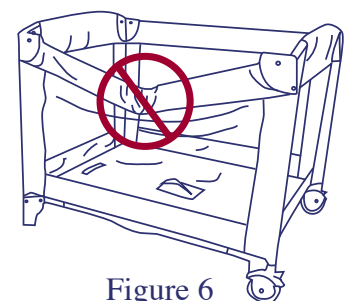


Figure 6

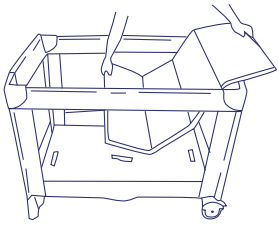


Figure 7



Figure 8

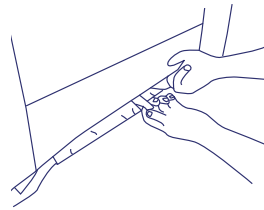


Figure 9

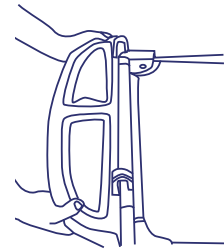


Figure 10

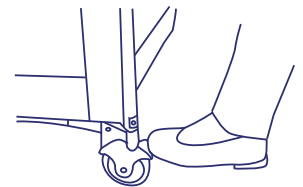


Figure 11

FOLDING PLAYARD

To operate the brakes on the wheels, press downward on the brake lever as shown in figure 11. To release, lift upward on the lever.

1. Undo the 6 Velcro straps holding mattress from underneath Playard floor. (If mattress is not used in the bassinet). Remove mattress and set aside.
2. Grasp the center floor lock handle pushing down . Rotate the handle counter-clockwise about 90 degrees and lift upward until handle is as high as the top rails. Gather the four feet of the playard together so that they nearly touch each other. See figure 1 and 2.

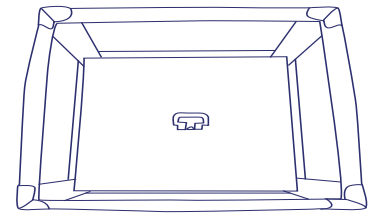


Figure 1

NOTE: TOP RAILS OF THE PLAYARD ARE STILL IN THE “LOCKED” POSITION.

3. Locate release button on the center of the bottom of each top rail. Lift slightly while squeezing button until the rail clicks. Push down on rail (while still holding release button in) until side forms a “U”. Repeat for remaining sides (Fig. 3).

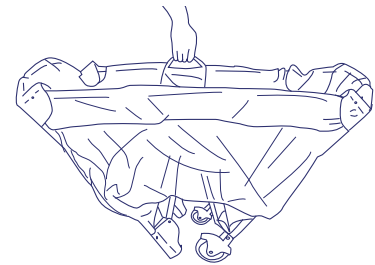


Figure 2

NOTE: If top rail(s) do not form the “U” completely do not force. Check the floor of your Playard to make sure all bottom rails are unlocked and pull up on middle handle of floor again. Repeat step 3.

4. Pull up on handle in center of Playard (Fig. 4). Gather legs of Playard together.
5. Wrap mattress around Playard frame with padded side facing in.
6. Secure the 3 Velcro straps by feeding through loops on end of mattress and folding back onto itself (Fig. 5).
7. Place Playard in carry bag so handle comes through opening between zippers and wheels come through opening in the end of bag.

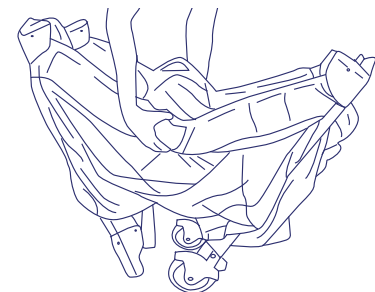


Figure 3

⚠ WARNING: NEVER LEAVE INFANT IN PRODUCT WITH SIDES DOWN. Infant may roll into space between pad and loose mesh side causing suffocation.



Figure 4

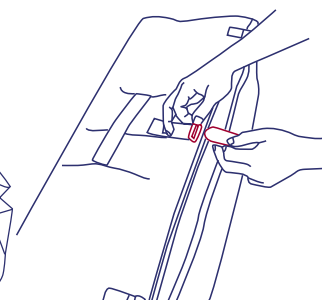


Figure 5

WARNING:

FAILURE TO FOLLOW THESE WARNINGS AND THE ASSEMBLY INSTRUCTIONS COULD RESULT IN SERIOUS INJURY OR DEATH FROM ENTRAPMENT, STRANGULATION, SUFFOCATION, ETC.

- Adult supervision is always necessary when using your bassinet.
- Your playard, including side rails and bottom pad, must be fully erected prior to use.
- Top rails must be locked.
- Bottom rails must be in flat, locked position.
- **SUFFOCATION HAZARD:** To help prevent suffocation from entrapment, use only the mattress provided by Baby Trend®. Never use additional mattress or padding. Never use plastic shipping bags or other plastic film as mattress covers not sold and intended for that purpose. Avoid **SUFFOCATION HAZARD** caused by a loose sheet. A fitted sheet is recommended. The fitted sheet must fit the mattress tightly.
- **STRANGULATION HAZARD: DO NOT** place items with a string around child's neck, such as hood strings or pacifier cords. **DO NOT** suspend string over bassinet or attach strings to toys.
- **DO NOT** add padding or other objects inside your bassinet which will permit a child to climb out.
- To prevent your child from falling out of the bassinet discontinue using your bassinet when your child is too active, able to climb out, weighs over 15 lbs.. (6.8 kgs.), or is over 4 months old.
- **DO NOT** use a water mattress with this bassinet.
- Use your bassinet with only one child at a time.
- Keep bassinet away from stoves, heaters, campfires and other hazards.
- Never place a child under the bassinet.
- **DO NOT** store the bassinet in the playard.
- The bassinet must be fully assembled and installed, including top rails and bottom pad, before using.
- Before each use or assembly, inspect the playard and bassinet / changing area for damaged hardware, loose joints, missing parts or sharp edges. **DO NOT** use playard or bassinet if any parts are missing or broken. Call our Customer Service department at (800) 328-7363 for replacement parts.
- To protect your child from falls and other injuries: always use safety belt when child is on the changing table, always stay within arm's reach of your child when using the changing table, never leave child unattended.

Baby Trend, Inc.
1567 S. Campus Ave.
Ontario, CA 91761

Customer Service Hot Line:
(800) 328-7363
8:00 A.M. to 4:30 P.M. Pacific Standard Time

TO ASSEMBLE YOUR BASSINET

NOTE: Playard *MUST* be in a locked set-up position before installing and using the bassinet feature.

CONTENTS (Fig. 1):

- 2 Right corner supports
- 2 Left corner supports
- 1 Nylon bassinet insert
- 2 Long metal tubes
- 2 Medium metal tubes
- 2 Short metal tubes

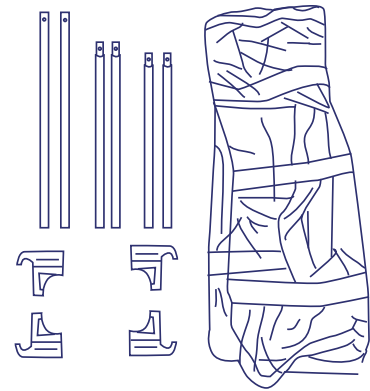


Figure 1

ASSEMBLY

1. Insert 1 short tube into a medium tube lining up the snap button and the hole opening. Make sure the snap buttons are exactly fitted into the holes (Fig. 2). Repeat for the second set of tubes.
2. Unroll the nylon bassinet fabric. Insert one set of the connected tubes into each long side of the bassinet sleeve (Fig. 3).



Figure 2

NOTE: The printed warning label should be facing toward the inside of the bassinet and is readable.

3. Insert 1 long tube into the short side of the bassinet sleeve. Repeat for remaining side.
4. Slide the corner supports onto the ends of each tube (Fig. 4). The corner support with a hole is used for the mobile. Place this corner support on the end opposite the changing table.
5. Place assembled bassinet onto the Playard. Push down each of the corner supports (Fig. 5).

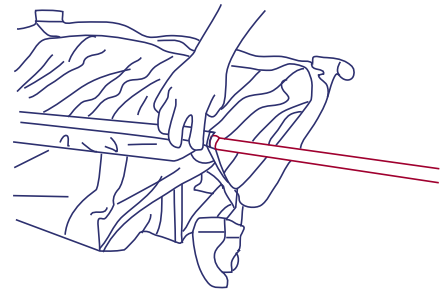


Figure 3.

NOTE: The corner supports are designed to rest on long side of the Playard (40 in. rail) and wrap around the short side of the Playard top corner pieces.

6. Place the Playard mattress into the bassinet with the padded side facing up (Fig. 6). Place corners of mattress into sleeves in bassinet. (Fig. 7)

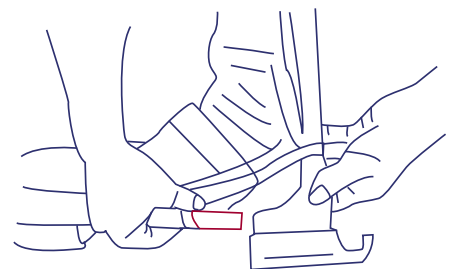


Figure 4.

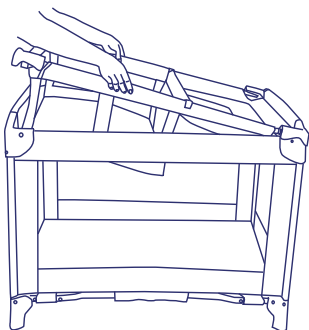


Figure 5.

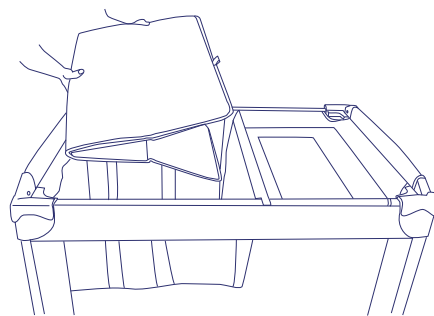


Figure 6.

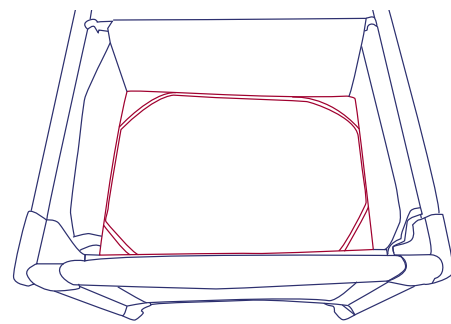


Figure 7.

USING BASSINET/CHANGING AREA

⚠️ WARNING: Avoid serious injury or death:

- ***Always use*** restraint belt to prevent falls (Fig. 1).
- Use changer with infant who's weight is less than 8.2 kg (18 lbs....) and is less than 63.5 cm (25 inches) tall.
- Discontinue use of changer if infant can push up on hands and knees or sit unassisted.
- ***DO NOT*** carry bassinet/changing area with infant in it.
- ***NEVER*** leave bassinet/changing area on top of Playard with a child in Playard.

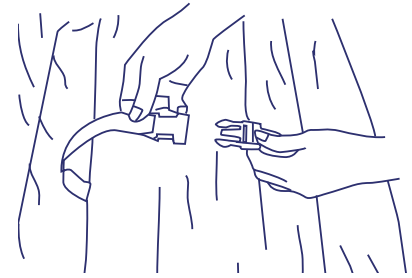


Figure 1

REMOVAL AND FOLDING BASSINET/CHANGING AREA

1. Remove mattress from bassinet (Fig.1).
2. Lift bassinet out of Playard (Fig. 2).
3. Remove corner pieces and slide metal tubes from fabric sleeves (Fig. 3).
4. Separate tubes by pressing on snap buttons and pull apart.

The bassinet is now ready for storage.

NOTE: Store bassinet and changing area with folded Playard in carry bag.

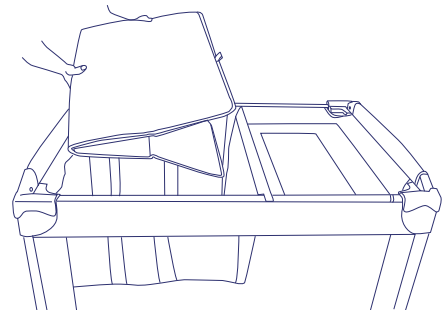


Figure 1

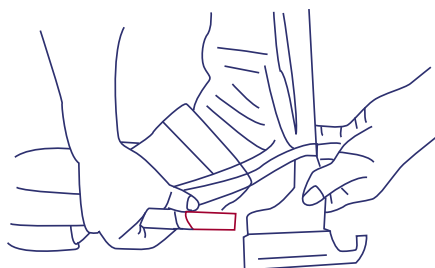


Figure 3

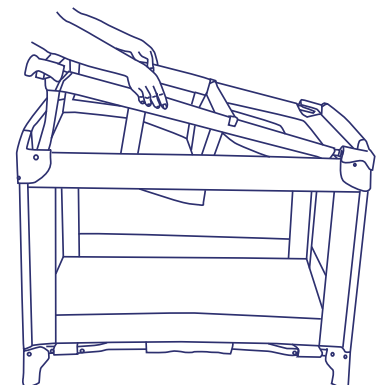


Figure 2

TO ASSEMBLE MOBILE

CONTENTS (Fig. 1):

- 1 Mobile lower arm
- 1 Mobile upper curved arm
- 1 Mobile tri-shaped arm
- 3 Toys

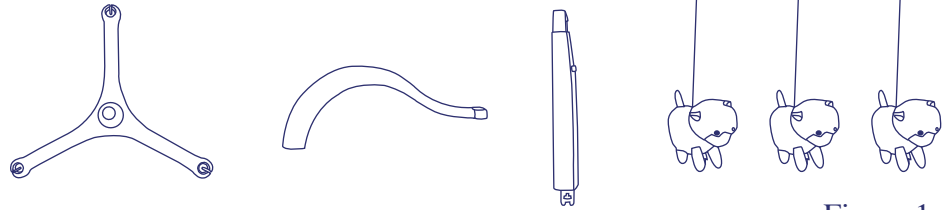


Figure 1.

Always attach the mobile securely to the playard according to these instruction. Check frequently.

1. Insert the Mobile upper curved arm into the Mobile lower arm until locked together (Fig. 2)
2. Snap the Mobile tri-shaped arm onto the end of the upper curved arm (Fig. 3). Connect each of the three toys to the mobile by threading the string into the slot at the end of each arm.
3. Remove the screw through the battery compartment door, located on the inside of the lower mobile arm. Insert two AA Batteries as shown in the diagram (Fig. 4).

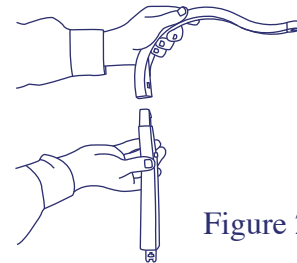


Figure 2.

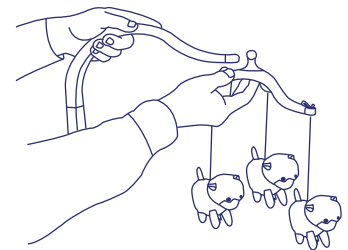


Figure 3.

⚠ WARNING: Old and new batteries should not be mixed. Alkaline, standard carbon-zinc, and rechargeable nickel-cadmium batteries should not be mixed. Remove batteries before storing mobile for a prolonged period of time.

4. Insert the bottom of the lower mobile arm into the hole in the corner fitting of the play yard (Fig. 5). To remove the mobile, squeeze the two plastic tabs that protrude through the bottom of the corner fitting while pulling upward. The mobile will rotate out of the way for ease in placing or removing the baby from the bassinet.

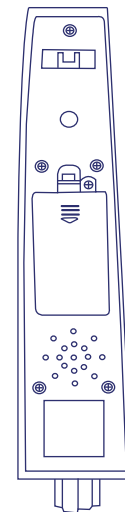


Figure 4.

⚠ WARNING: This mobile is designed to be used from birth to 5 months. A mobile is intended for visual stimulation and is not intended to be touched by the child. Possible entanglement injury: keep out of the baby's reach. Do Not place your baby directly under the mobile. Remove mobile from playard when baby begins to push up on hands and knees.

⚠ WARNING: Do not add additional strings or straps to attach to a crib or playpen.

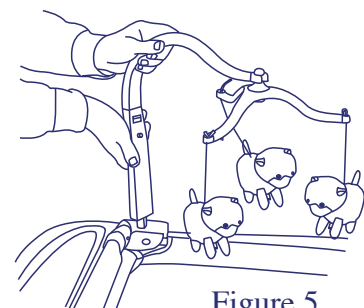
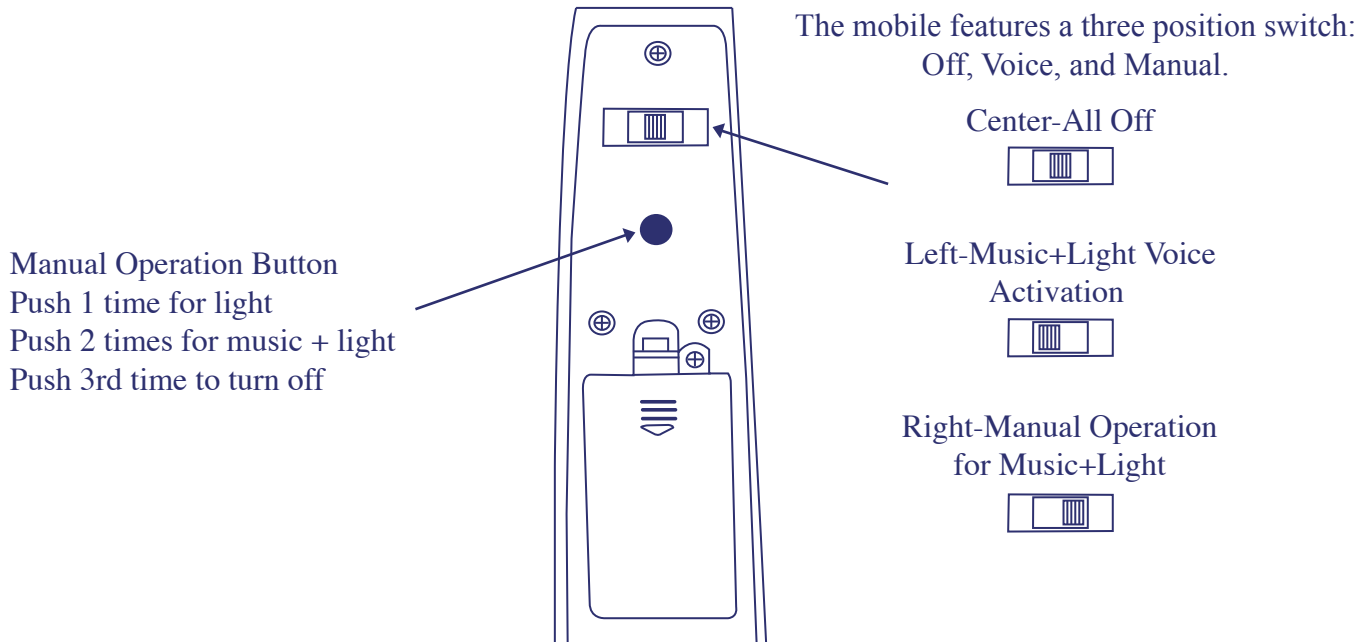


Figure 5.

OPERATION OF THE MUSIC AND NIGHT LITE



The night light and music may be activated manually or by voice. Place the on/off switch in the desired setting. (See figure 6.)

The manual setting requires that you press the manual operation button as shown in Figure 6 to operate the music and night light.

The voice activated setting will turn both the night light and music on when the baby cries. The light and music will remain on for 40 seconds.

The music will play:

1. Rock a by Baby



IF YOU EXPERIENCE ANY DIFFICULTY IN USING THIS PRODUCT, PLEASE CONTACT OUR CUSTOMER SERVICE DEPARTMENT AT (800) 328-7363 BETWEEN THE HOURS OF 8:00A.M. AND 4:30P.M. PACIFIC COAST TIME FOR ASSISTANCE.