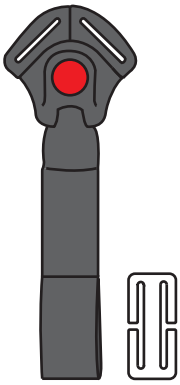


Fastback Buckle Replacement

(TrendZ FastBack 3-in-1 Car Seat Model. FB60070 & FB60408)



1

Unlatch buckle tongues from existing buckle.

This diagram shows a pair of hands using their fingers to pry the grey plastic buckle tongues away from the existing buckle mechanism. Red arrows indicate the direction of the prying force.

2

Disconnect harness straps from the two splitter-plates located on the back of the seat.
(See page 53 in the owners manual)

This diagram shows hands pulling the harness straps away from the back of the seat. Red arrows point to the two splitter-plates where the straps are attached.

3

Pull the harness straps through the front of the seat and remove the harness covers, chest clips and buckle tongues.
(See page 53 in the owners manual)

This diagram shows hands pulling the harness straps through the front of the seat. Red arrows indicate the direction of the straps being pulled.

4

Locate and unhook the elastic straps holding the bottom seat cover to the seatback on the rear of the seat. Pull bottom of seat cover forward.

This diagram shows the rear of the car seat with red arrows pointing to the elastic straps that hold the seat cover in place.

5

Push buckle down through seat bottom cover.

This diagram shows the replacement buckle being pushed down through the seat bottom cover. Red arrows indicate the downward direction.

6

Pull buckle through seat bottom cover.

This diagram shows hands pulling the buckle through the seat bottom cover. Red arrows indicate the direction of the buckle being pulled.

7

Lift up buckle lock-off plate and remove from slot.

This diagram shows hands lifting up the buckle lock-off plate from its slot. A red arrow points upwards.

8

Cut webbing with scissors and remove buckle and lock-off plate from seat.

This diagram shows hands using scissors to cut the webbing. Red arrows indicate the cutting action.

9

Buckle Removal Complete

The buckle should be completely removed from the seat as shown.

This diagram shows the removed buckle and lock-off plate. A red arrow points to the buckle.

Replacement Buckle

10

Thread replacement buckle through the seat bottom cover. Pull bottom of seat cover forward.

This diagram shows the replacement buckle being threaded through the seat bottom cover. Red arrows indicate the direction of the buckle and the seat cover.

11

Firmly push the strap under the seat bottom and up through the opening as far under as possible.

This diagram shows hands pushing the strap under the seat bottom. Red arrows indicate the direction of the strap.

12

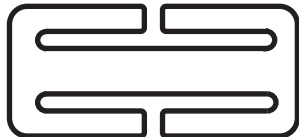
Pull the strap up through the lock-off plate slot as far as possible.

This diagram shows hands pulling the strap up through the lock-off plate slot. Red arrows indicate the direction of the strap.

Fastback Buckle Replacement

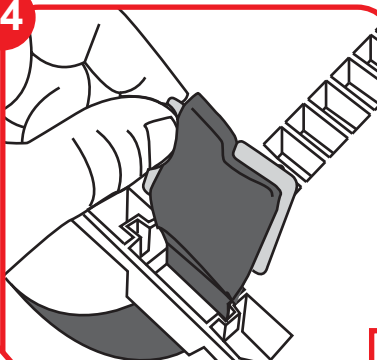
(TrendZ FastBack 3-in-1 Car Seat Model. FB60070 & FB60408)

13



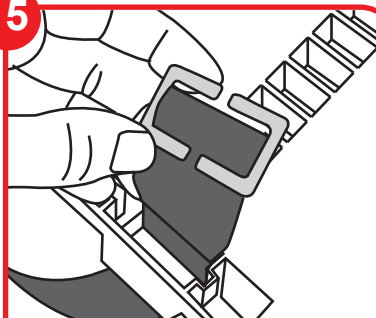
Lock-off plate

14



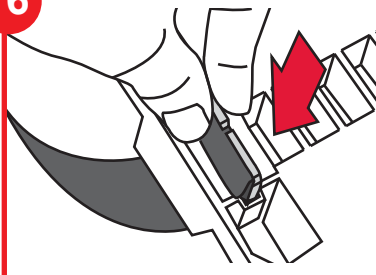
Place lock-off plate through the loop.

15



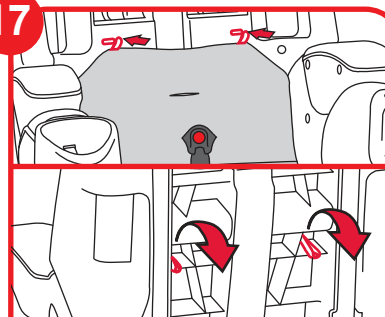
Attach lock-off plate by sliding each side of the webbing under each side of the plate as shown. Insert the top first then the bottom.

16



Insert lock-off plate into slot firmly

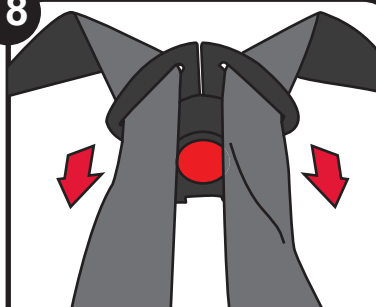
17



Fold back seat bottom cover and re-attach elastic straps to seat back on each side.

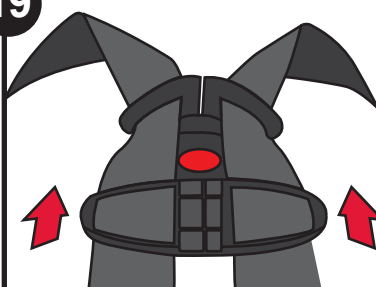
18

Replace Harness Straps



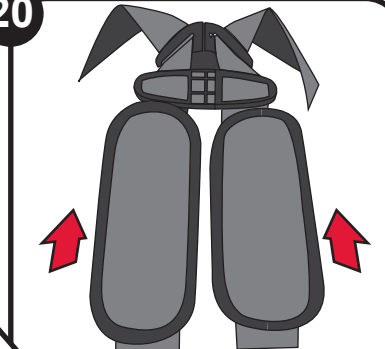
Thread the harness straps through each buckle tongue.
(See page 53 in the owners manual)

19



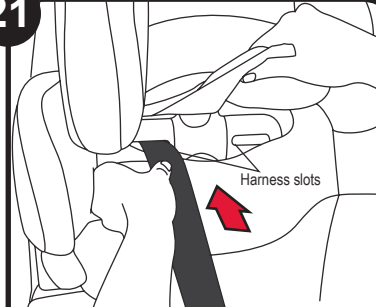
Thread on the chest clip

20



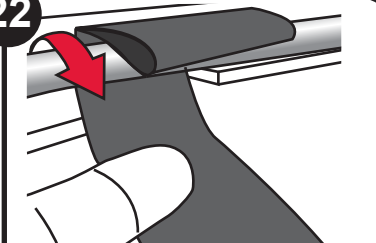
Slide on the harness covers.

21



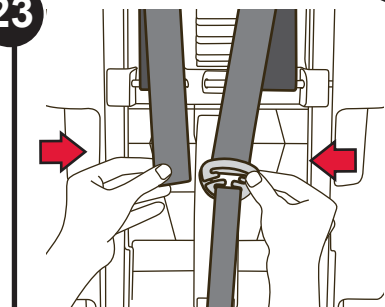
Lift the cover flap and thread the ends of the harness straps through the harness slots.
(See page 56, Fig. 56-3 in the owners manual)

22




Pull the harness webbing ends through the back of the seat and thread the straps up and over the upper cross-bar as shown. The webbing **MUST** be threaded over the cross-bar to function correctly.
(See page 57 in the owners manual)

23



Reconnect harness straps from the two splitter-plates located on the back of the seat.
(See page 53 in the owners manual)

24



Para instrucciones en español, visite nuestra pagina en www.babytrend.com/safety_notices.html

For instructions in spanish, visit our website at www.babytrend.com/safety_notices.html

1-800-328-7363
(8:00am ~ 4:30pm PST)
www.babytrend.com

Baby Trend, Inc.
1607 S. Campus Ave.,
Ontario, CA 91761